

# SE043, SE044

## PV DC Moulded Case Circuit Breaker (125amps, 63 amps)



### Technical Specifications

#### BD Series PV DC MCCB

Type	SE043 for 125A, SE044 for 65A
Pole	2P
Rated Current	125A

#### Electrical Characteristics

Rated Working Voltage (Ue)	500V DC
Rated Current - In(A)	65A, 80A, 100A, 125A
Rated Insulated Voltage (Ui)	500V DC
Rated Impulsed Voltage (Uimp)	8KV
11 Min Power Frequency Withstand Voltage	3.8KV
Ultimate Breaking Capacity (Icu)	15KA
Run Breaking Capacity (Ics)	15KA

#### Protection

Tripping Type	Thermal Magnetic Type
---------------	-----------------------

#### Control and Indication

Control Mode - Manual - Direct (RHD)	Optional
Control Mode - Manual - Extended (ERH)	Optional
Control Mode - Mod	Optional
Shunt Release (SHT)	Optional
Auxiliary Release	Optional
Terminal End Cover	Yes
Interphase Barriers	Yes

#### Service Life/Cycle Operation

Mechanical	10000
Electrical	2000
Size (LxWxH)	150.5x64.5x119mm

Ingress Protection	Circuit Breaker	All Sides IP40, Connection Terminal IP20
	Enclosure	IP65

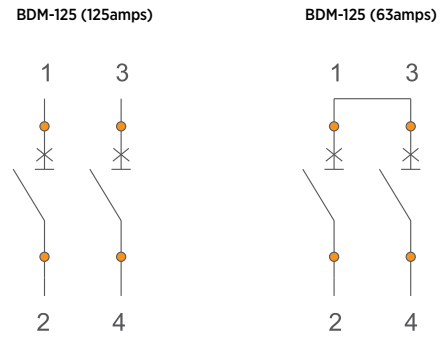
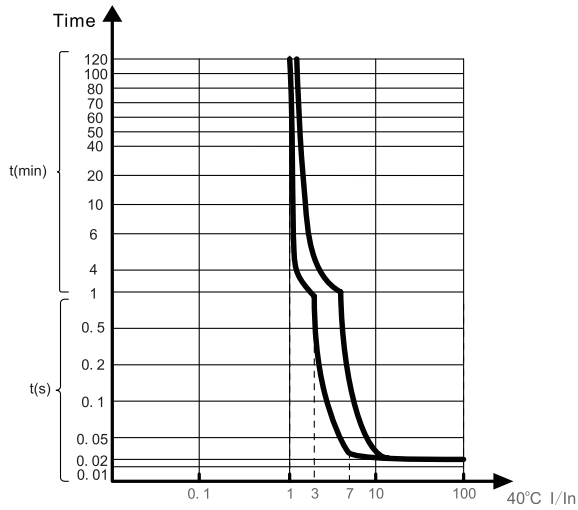
#### Installation Environment

Comply With	IEC60947-2/GB14048.2
Storage Temperature	-40°C-+70°C

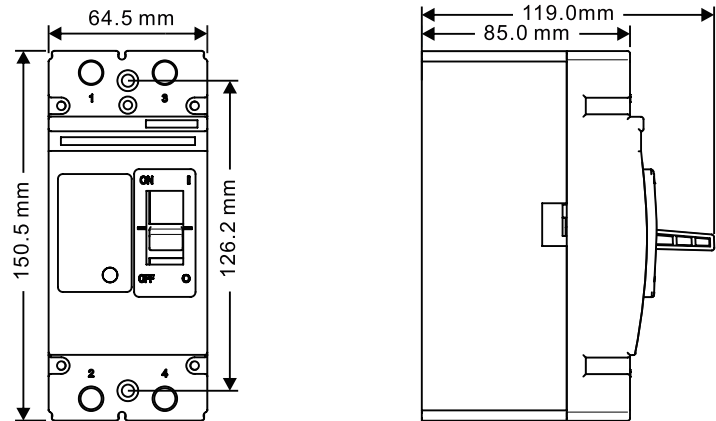
# SE043, SE044 PV DC Moulded Case Circuit Breaker (125amps, 63amps)

**Characteristic Curve**

**Contacts Wiring Graph**



**Dimensions**



**Dimensions (IP65 Waterproof Enclosure)**

