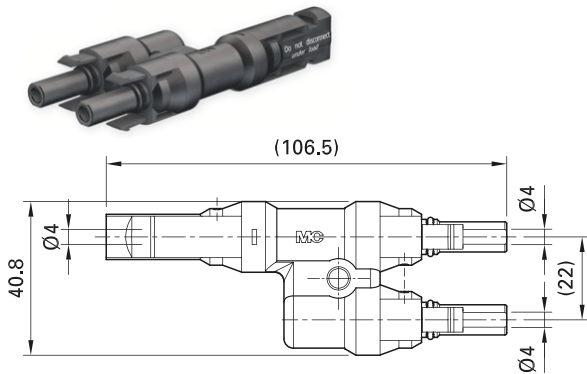



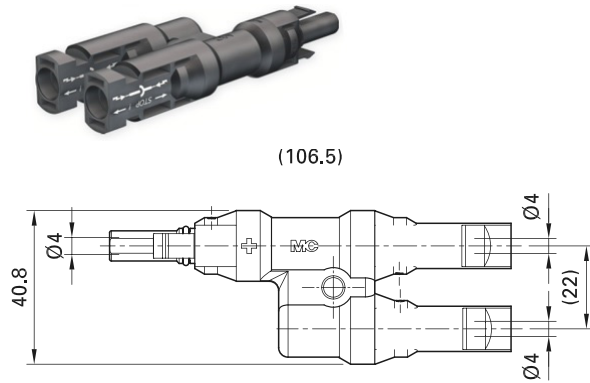
Genuine Branch MC4 Connector Socket and Plug SE015HA and SE015HB


MC4 Branch Socket



Order No.	Type	Description	Approvals
32.0018	PV-AZB4	Branch socket	

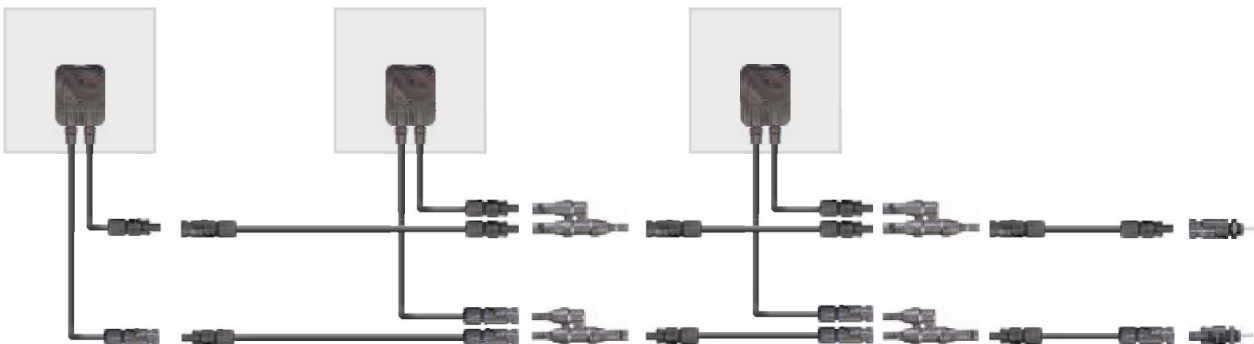
MC4 Branch Plug



Order No.	Type	Description	Approvals
32.0019	PV-AZS4	Branch plug	

- For a safe and simple parallel or serial-parallel connection of PV-modules.
- Pluggable with single-pole Stäubli PV-cable coupler MC4. Unmated connections must be protected by sealing caps.

Technical Data			
Connector system	Ø 4 mm	Contact resistance of plug connectors	≤0.5 mΩ
Rated voltage	1500 V DC (UL)	Safety class	II
Rated current	50 A	Contact system	MULTILAM
Rated impulse voltage	12 kV	Contact material	Copper, tin plated
Ambient temperature range	-40°C...+85°C (UL)	Insulation material	PC
Upper limiting temperature	105°C (Stäubli)	Locking system (UL)	Locking type
Degree of protection	IP67 (mated) IP2X (unmated)	Flame class	UL94-V0
Overvoltage category / Pollution degree	CATIII /2	UL recognized component, in accordance with UL 6703	E343181



Please Note:

Please consult with your Electrician/Engineer to ensure suitability for the intended application and installation.

PGK Distribution takes every precaution to ensure the information in this publication is correct but accepts no liability of any kind and reserves the right to change any detail in this catalogue without notification.