

Aluminium Alloy Protection Cover for DC Isolator Switch (1500V DC Isolator) SE036D

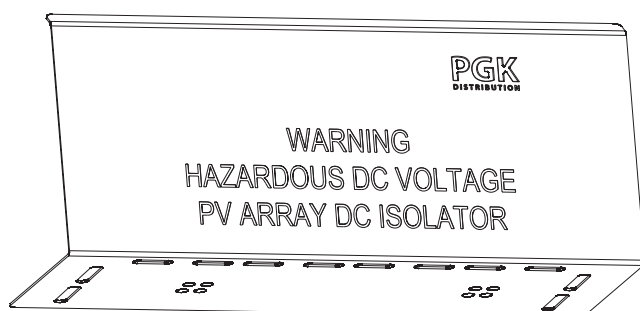
Specification



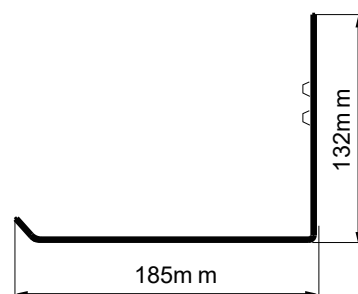
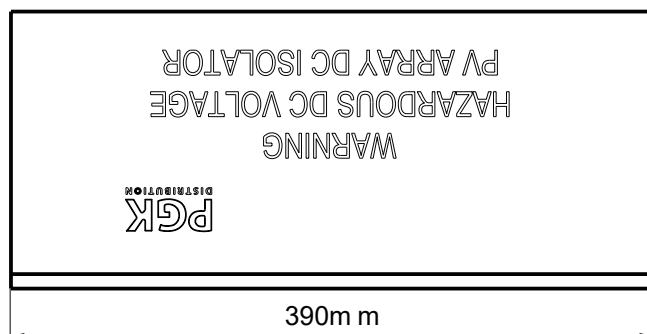
Type: SE036D, 132*185*390mm

- Easier to install DC Isolator Switch in complex environments
- Protects DC Isolator switches from high temperature due to sun exposure
- Extends DC Isolator switch lifespan
- Impact resistance

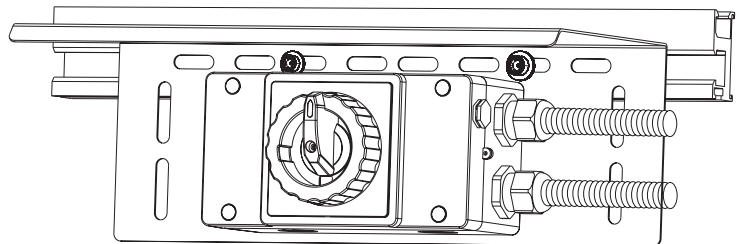
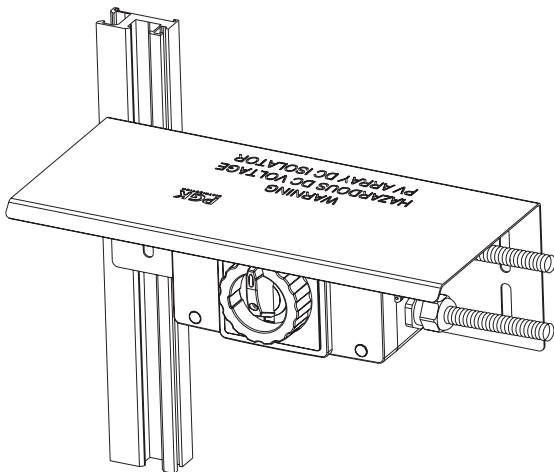
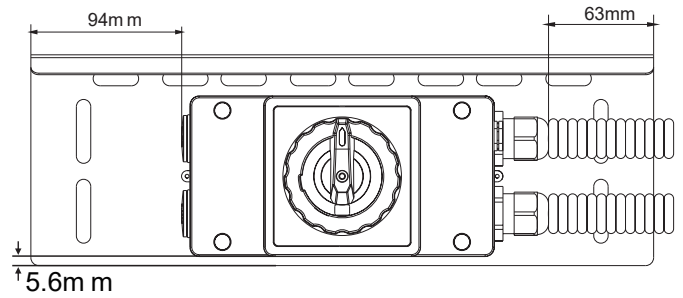
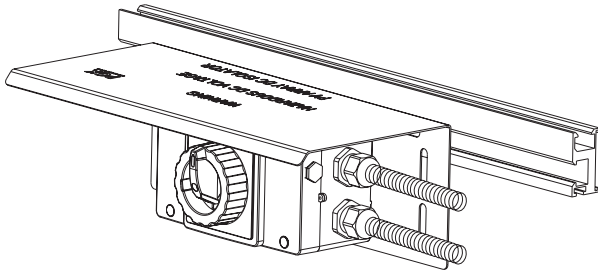
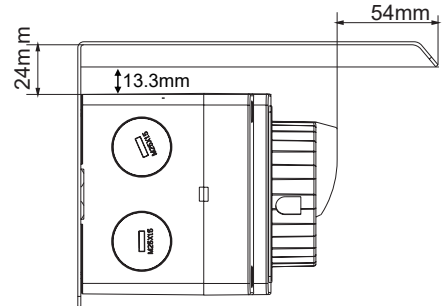
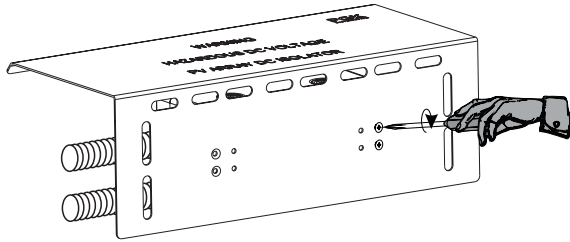
Appearance



Dimensions



Installation



Please Note:

Please consult with your Electrician/Engineer to ensure suitability for the intended application and installation.

PGK Distribution takes every precaution to ensure the information in this publication is correct but accepts no liability of any kind and reserves the right to change any detail in this catalogue without notification.