

Aluminium Alloy Protection Cover for DC Isolator Switch SE036C

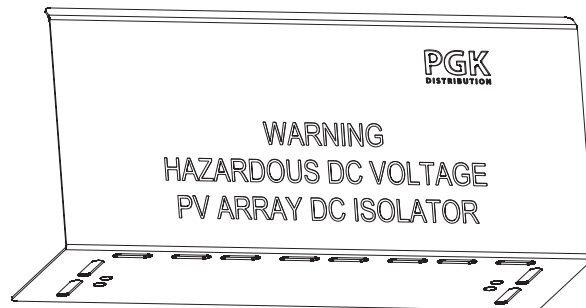
Specifications



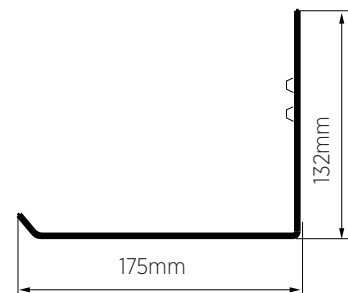
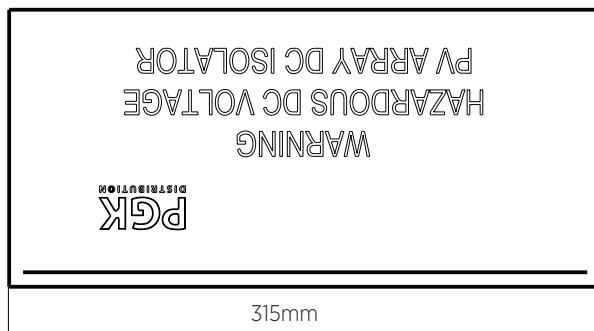
- Type: **SE036C, 132 x 175 x 315mm**
- Easier to install DC Isolator Switch in complex environments
- Resistance to high temperature and exposure to sun
- Provides longer lifespan for DC Isolators
- Protects DC Isolators efficiently from impact

Compliance: AS/NZS5033: 2014 Amdt 2: 2018

Appearance

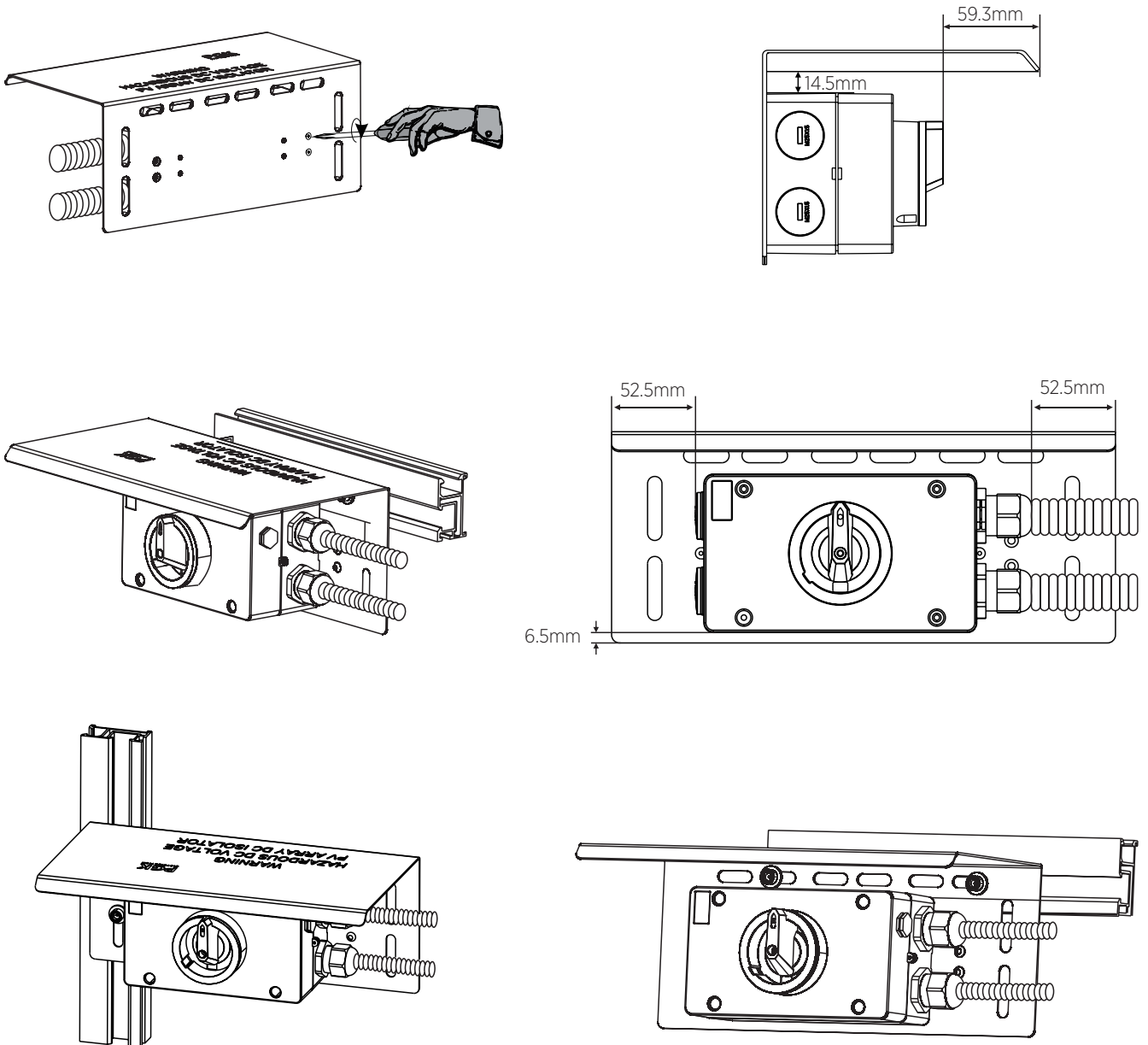


Dimensions



Aluminium Alloy Protection Cover for DC Isolator Switch SE036C

Installation



Please Note:

Please consult with your Electrician/Engineer to ensure suitability for the intended application and installation.

PGK Distribution takes every precaution to ensure the information in this publication is correct but accepts no liability of any kind and reserves the right to change any detail in this catalogue without notification.

PGK Distribution

VIC Main Office

8 Mohr St Tullamarine, Vic 3043

T: 1300 PGK SOL