

# SE043, SE044 PV DC Moulded Case Circuit Breaker (125amps, 63 amps)

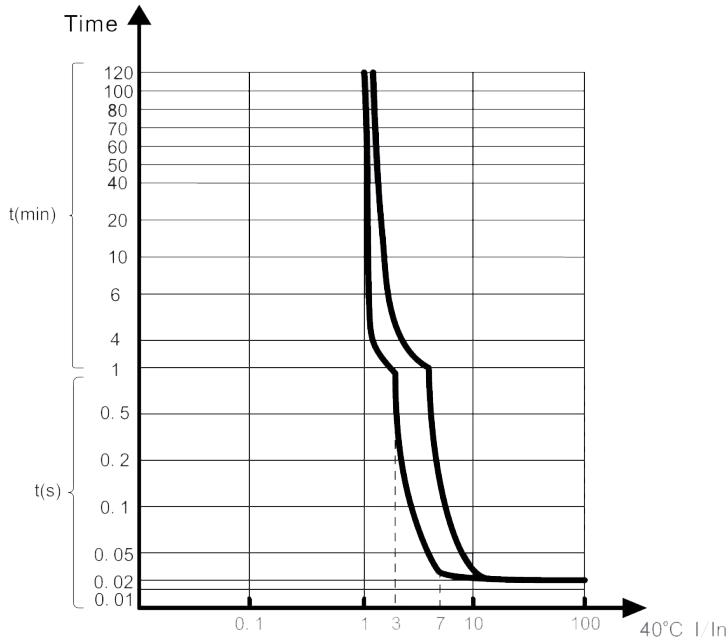


Proudly Australian Owned



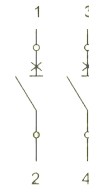
Technical Specifications	
BD Series PV DC MCCB	
Type	125A
Pole	2P
Rated Current	125A
Electrical Characteristics	
Rated Working Voltage (Ue)	500V DC
Rated Current - In(A)	65A, 80A, 100A, 125A
Rated Insulated Voltage (Ui)	500V DC
Rated Impulsed Voltage (Uimp)	8KV
11 Min Power Frequency Withstand Voltage	3.8KV
Ultimate Breaking Capacity (Icu)	15KA
Run Breaking Capacity (Ics)	15KA
Protection	
Tripping Type	Thermal Magnetic Type
Control and Indication	
Control Mode - Manual - Direct (RHD)	Optional
Control Mode - Manual - Extended (ERH)	Optional
Control Mode - Mod	Optional
Shunt Release (SHT)	Optional
Auxiliary Release	Optional
Terminal End Cover	Yes
Interphase Barriers	Yes
Service Life/Cycle Operation	
Mechanical	10000
Electrical	2000
Size (LxWxH)	150.5x64.5x119mm
Ingress Protection	Circuit Breaker: All Sides IP40, Connection Terminal IP20 Enclosure: IP65NW
Installation Environment	
Comply With	IEC60947-2/GB14048.2
Storage Temperature	-40°C-+70°C

### Characteristic Curve

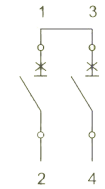


### Contacts Wiring Graph

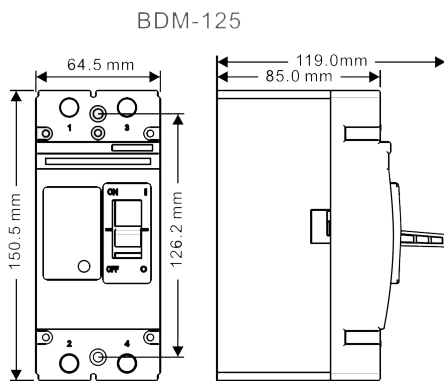
BDM-125 (125amps)



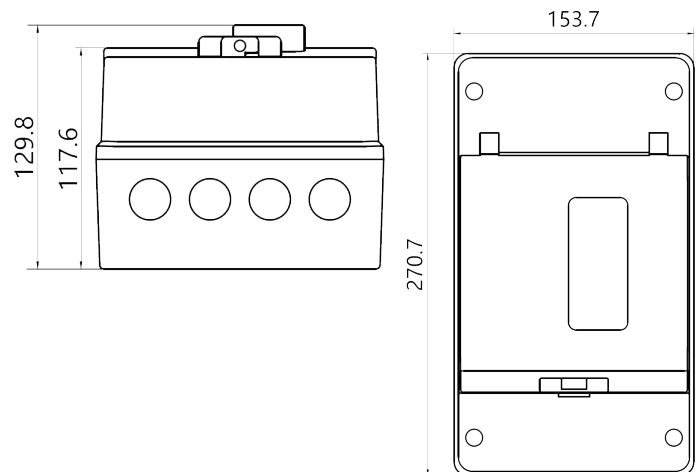
BDM-125 (63amps)



### Dimensions



### Dimensions (IP65 Waterproof Enclosure)



**Please Note:**

Please consult with your Electrician/Engineer to ensure suitability for the intended application and installation.

PGK Distribution takes every precaution to ensure the information in this publication is correct but accepts no liability of any kind and reserves the right to change any detail in this catalogue without notification.