

PV DC Moulded Case Circuit Breaker SE043, SE044, SE045, SE046, SE048, SE049, SE050, SE051

Technical Specifications



Type	Rated Current
SE044	65A
SE045	80A
SE046	100A
SE043	125A
SE048	160A
SE049	200A
SE050	225A
SE051	250A

Electrical Characteristics	
Pole	2P
Rated Working Voltage (Ue)	500V DC
Rated Insulated Voltage (Ui)	500V DC
Rated Impulsed Voltage (Uimp)	8kV
11 Min Power Frequency Withstand Voltage	3.8kV
Ultimate Breaking Capacity (Icu)	15kA
Run Breaking Capacity (Ics)	15kA

Control and Indication	
Control Mode - Manual - Direct (RHD)	Optional
Control Mode - Manual - Extended (ERH)	Optional
Control Mode - Mod	Optional
Shunt Release (SHT)	Optional
Auxiliary Release	Optional
Terminal End Cover	Yes
Interphase Barriers	Yes

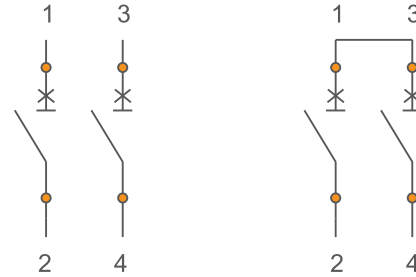
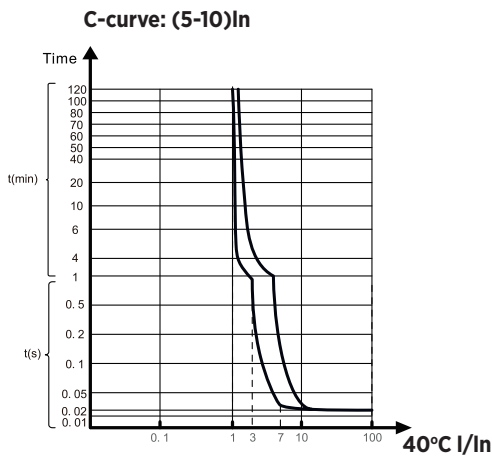
Protection	
Tripping Type	Thermal Magnetic Type

Service Life/Cycle Operation		
Mechanical		10000
Electrical		2000
Size (LxWxH)		See next page
Ingress Protection	Circuit Breaker	All Sides IP40, Connection Terminal IP20
	Enclosure	IP65

Installation Environment	
Comply With	IEC60947-2/GB14048.2
Storage Temperature	-40°C-+70°C

PV DC Moulded Case Circuit Breaker SE043, SE044, SE045, SE046, SE048, SE049, SE050, SE051

Electrical Characteristics

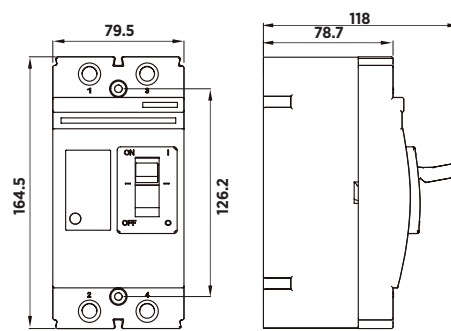
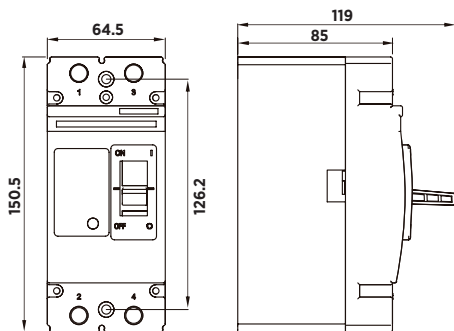


1. $I=1.05I_n$, $t \leq 2h$, not trip;
2. $I=1.3I_n$, $t < 2h$, trip;
3. $I=3I_n$, $t=60-120s$ (63A-250A);
4. Instantaneous trip: $I=5I_n$.

Dimensions (mm)

SE044, SE045, SE046, SE043

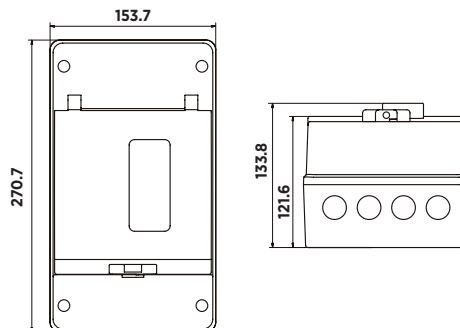
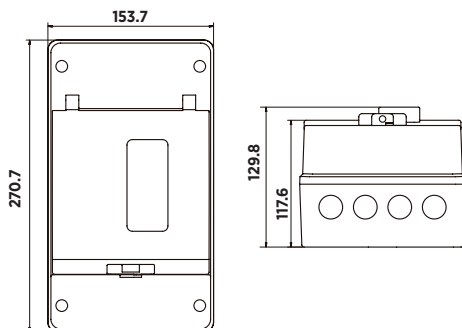
SE048, SE049, SE050, SE051



IP65 Enclosure

SE044, SE045, SE046, SE043

SE048, SE049, SE050, SE051



Please Note:

Please consult with your Electrician/Engineer to ensure suitability for the intended application and installation.

PGK Distribution takes every precaution to ensure the information in this publication is correct but accepts no liability of any kind and reserves the right to change any detail in this catalogue without notification.

PGK Distribution

VIC Main Office

8 Mohr St Tullamarine, Vic 3043

T: 1300 PGK SOL